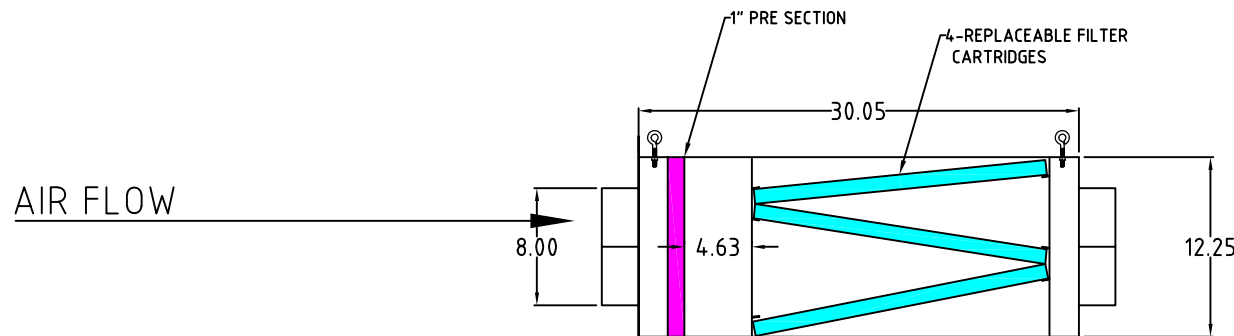
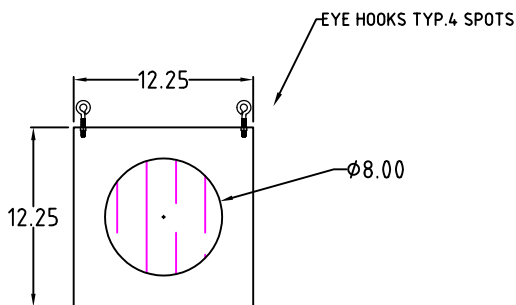


TOP VIEW

REMOVABLE ACCESS PANEL



SIDE VIEW TRAY LOADING



END VIEW INLET/OUTLET

SPECIFICATIONS

DIMENSIONS ARE FOR REFERENCE ONLY
 DO NOT USE FOR CONSTRUCTION UNLESS SIGN APPROVED
 DIMENSIONS: 12 1/4 X 12 1/4 X 30 1/16
 +0 / - 1/8

UNIT HOLDS:

- 1- 12 X 12 X 1 PRE FILTER
- 3- 12 X 20 X 1 CARTRIDGES

MADE FROM 20 GA. ALUMINIZED
 4- HANGING EYE HOOKS

REMOVABLE ACCESS PANEL
 TO ACCESS CARTRIDGES

1200 MAX CFM = 240 FPM
 .021SEC RESIDENCE TIME
 APPROX 2.0' W6 WITH PRE FILTER

TITLE: STEALTH EDITION
 AIR BOX 3

SCALE: NTS	DRAWING #	
DRAWN: SHN	REV: B.	DATE: 03/28/24

APPROVED BY:

DATE:

